

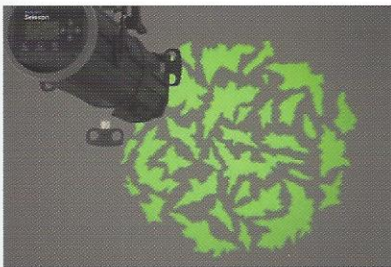
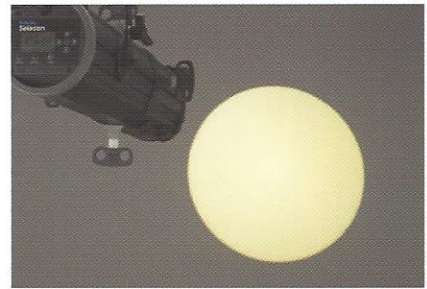
Texture and Shape Your Light

PLPROFILE1



PLPROFILE1

The PLPROFILE1 is a variable angle profile with a high output beam. Pattern projections allow you to texture the light, while you can shape the beam with the framing shutters.



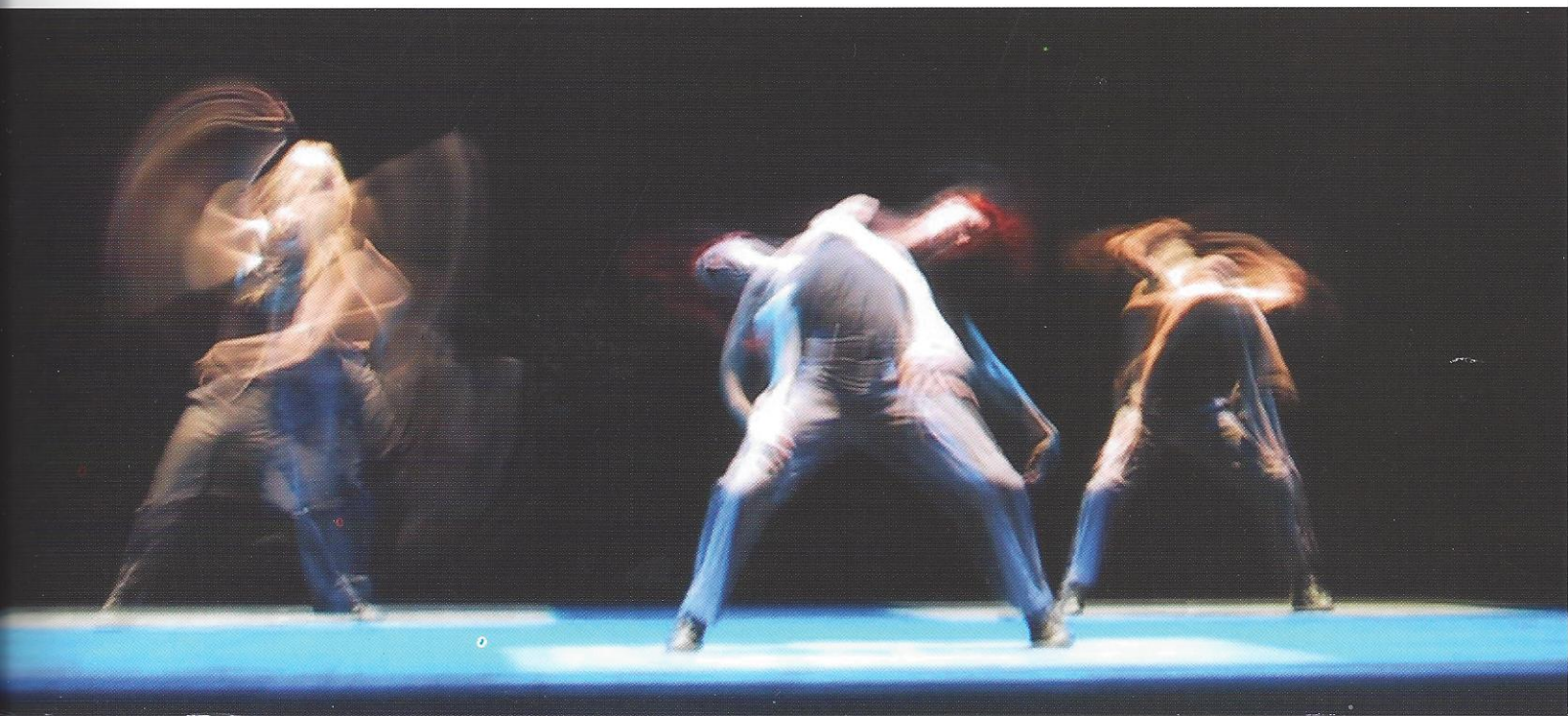
The PLPROFILE1 delivers Philips Selecon's industry benchmark quality for high definition image projection.



Shape the beam precisely with the framing shutters.



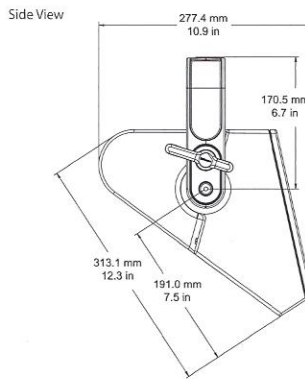
Switch from wide zoom to medium zoom with Philips Selecon's interchangeable lens trays.



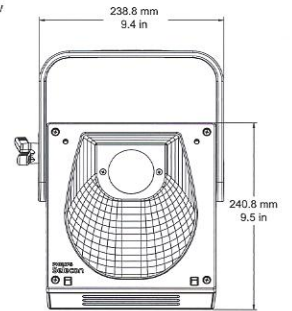
ELECTRICAL SPECIFICATIONS

Source:	1 each, true RGBW 120W LED chip
Output:	> 2000 lumens (white light)
Operating voltage:	100V–240V AC (auto-ranging)
Frequency:	50/60Hz
Current draw:	1.3A at 120VAC, 0.63A at 240VAC
Maximum load with all LEDs at full RGBW	
Ambient temperature:	35° – 40°C
Control:	On-board menu/DMX512
Standard compliance:	ETL and CE Marked

PLCYC 1



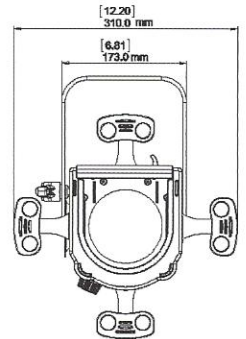
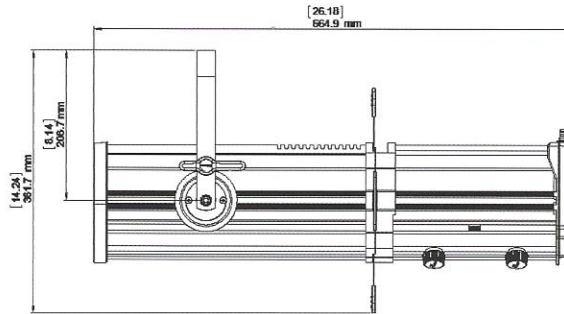
Front View



MECHANICAL SPECIFICATIONS

Construction:	Aluminium, sheet metal, and molded engineering grade plastic components
Color:	Black
Weight:	PLCYC1 - 7.3 lbs (3.3 kg) PLFRESNEL1 - 12 lbs (5.7 kg) PLPROFILE1- 18 lbs (8.5 kg)

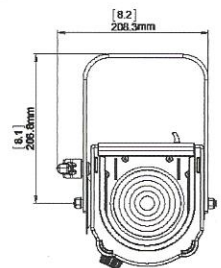
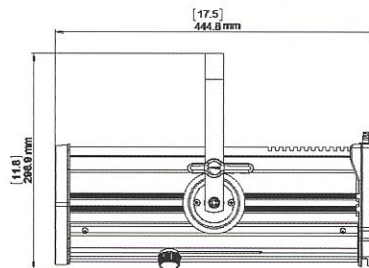
PLPROFILE 1



ORDERING INFORMATION

- PLCYC1-03 PLCYC1 LED Luminaire, Black
- PLFR1-03 PLFRESNEL1 LED Luminaire, Black
- PLZS1-1834-03 PLPROFILE1 LED Luminaire 1834, Black
- PLZS1-2444-03 PLPROFILE1 LED Luminaire 2444, Black

PLFRESNEL 1



Phillips Strand Lighting
10911 Petal Street
Dallas, TX 75238
United States
Tel: +1 214 647-7880
Fax: +1 214 647-8038
www.strandlighting.com

Phillips Selecon
19-21 Kawana Street
Northcote, Auckland 0627
New Zealand
Tel: +64 9 481 0100
Fax: +64 9 481 0101
www.seleconlight.com

Phillips Selecon
Unit C, 14/F, Roxy Industrial Centre
41-49 Kwai Cheong Road
Kawi Chung, NT
Hong Kong
Tel: +852 2796 9786
Fax: +852 2798 6545

Phillips Entertainment Group
Europe
Rondweg zuid 85
7102 JD
Winterswijk
The Netherlands
Tel: +31 543 542513

PHILIPS
Selecon