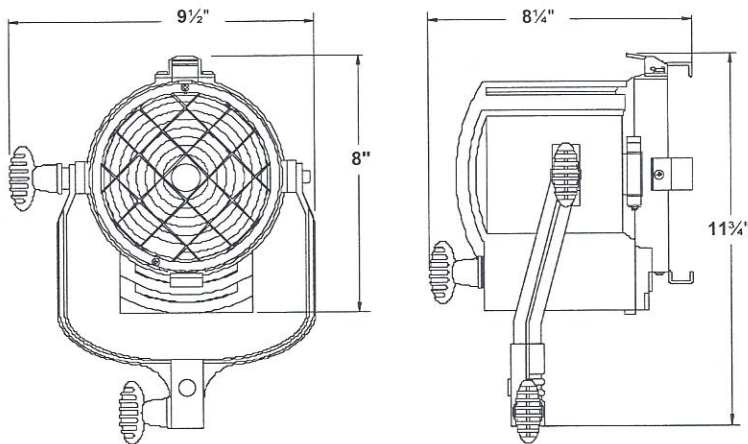




## BAMBINO 650W Quartz Halogen Fresnel

- Improved light quality and output, producing a flatter and more even field
- High quality, rugged, durable
- Corrosion resistant for longer life
- Compatibility of parts throughout the range
- A comprehensive range of accessories, interchangeable with existing Quartzcolor products
- Easy to service and maintain
- Large focusing knob on rear
- New worm drive mechanism for precise focusing
- Scratch resistant black non-reflective housing
- c UL us listed



### Operational data

**Safety:**

1" x 1" wire mesh guard.

**Accessory fitting:**

Stainless steel ears. Spring loaded top catch for retention of accessories.

**Tilt adjustment:**

Pivot located at centre of gravity for excellent balance and positive locking.

**Focus adjustment:**

Rear focusing knob for smooth and precise action from spot to flood positions

**Lamp access:**

Hinged lens door allows easy access for lamp replacement.

### Weights & dimensions

Lens diameter	5"
Accessory diameter	6 5/8"
Filter cut size	6" x 6"
Weight (head + yoke)	7 3/4 lbs
Packed weight	10 lbs
Packed volume	1.38 cu ft

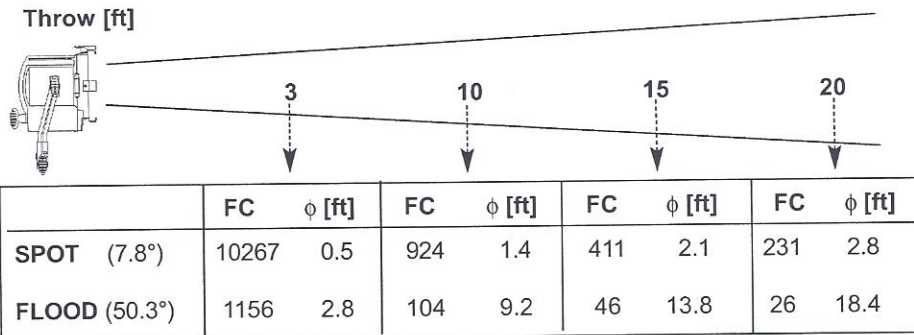
# Quartz Halogen Fresnels



Strand Studio Lighting

## Photometric data

Typical performance based on FRK - 650W lamp:



## Ordering information

### Cat No Description

**27636** Bambino 650W  
supplied with yoke,  
color frame, 8-leaf  
rotating barndoor

### Optional Accessories

#### Cat. No Description

**28047** Color frame  
**28837** 8 leaf barndoor  
**28359** Scrim set  
(two double scrims, one  
single scrim, one half double  
scrim, one half single scrim)  
**28049** Cone (adjustable)

## Mechanical data

### Paint / Finish:

Powder coated epoxy paint with special extra high temperature treatment in critical areas. External textured low gloss finish

### Lamp house

Die cast aluminum

### Mounting:

Die cast aluminum yoke with standard 5/8" socket

## Lamp data

### Lamp code

FRK - 650W

### LCL

1<sup>13</sup>/<sub>16</sub>"

### Base

GY9.5

### Lumens

16900

### Rated life hours (H)

200

### Color temp. (K)

3200

## Environmental Data

Max operating ambient temperature: 110°F

IP Rating: IP 20

Tilt recommended angle of use: -90° / 0 / 90°

## Electrical data

### Cable / Switching:

13' cable with in-line 15A/120V ON-OFF toggle switch

### Standards compliance:

c UL us listed

### Strand Lighting Inc

6603 Darin Way, Cypress, CA 90630, USA  
Tel: +1 714 230 8200 Fax +1 714 230 8173

### Strand Lighting (Canada)

### Inc/Eclairages Strand (Canada) Inc

2430 Lucknow Drive No 15  
Mississauga Ontario L5S 1V3 Canada  
Tel: +1 905 677 7130 Fax: +1 905 677 6859



The Company reserves the right to make any variation in design or construction to the equipment described.  
© Strand Lighting Ltd. 2002

Strand™, Strand Lighting™, Strand Quartzcolor™ are trademarks of Strand Lighting Limited and Strand Lighting Inc.

www.strandlighting.com

BERLIN • HONG KONG • LONDON • LOS ANGELES • MOSCOW • NEW YORK • PARIS • ROME • TORONTO